

Make:

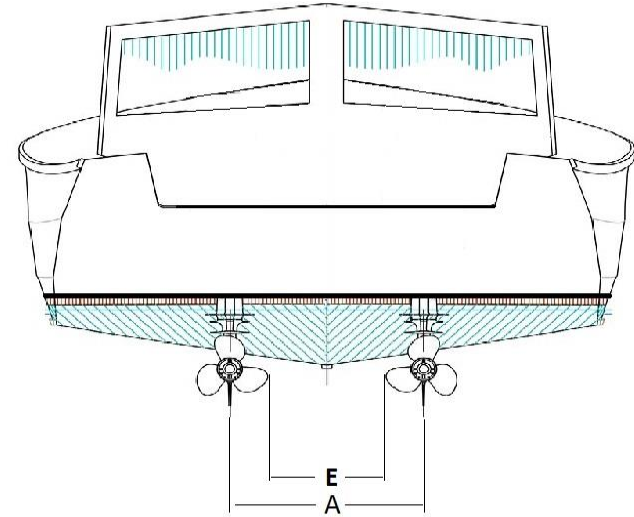
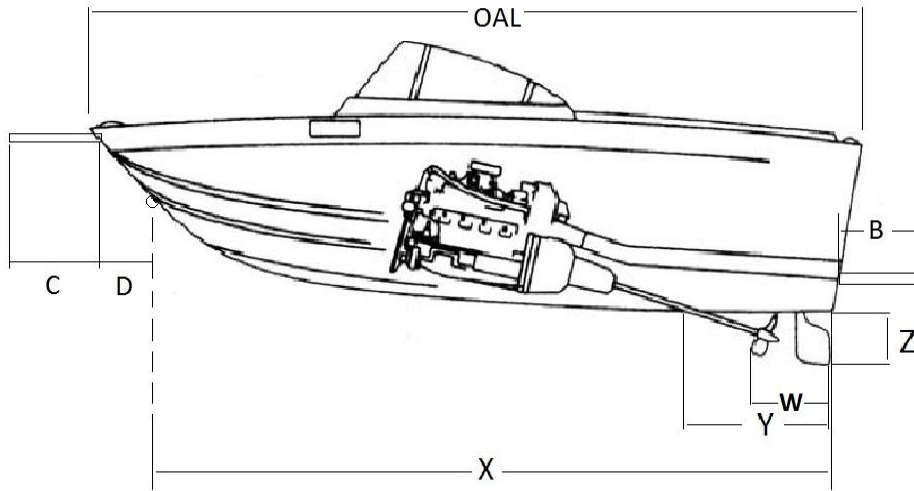
Model:

Dealer:

Date:



Twin Inboard Measurement Sheet



OAL	Overall Length	
A	Prop Center Distance	
B	Swim Platform Length (if applicable)	
C	Pulpit to Bow (if applicable)	
D	Bow to Bow Eye (if applicable)	
E	Inside Prop Distance	
W	Transom to front of Prop	
X	Bow Eye to Transom	
Y	Transom to Shaft exit in hull	
Z	Rudder/Prop Depth	